

TERMINAL BOX K31A

Description

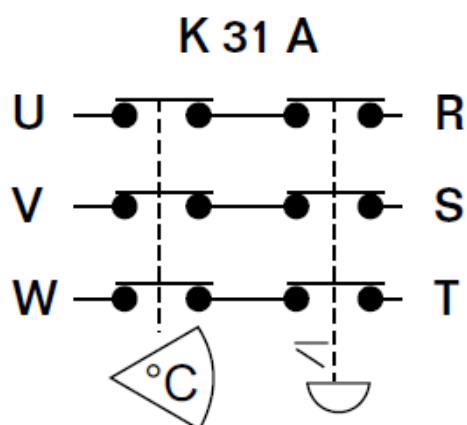
Terminal box in plastic with 3-pole combi-thermostat, for use together with Backer's 1¼"-2" element heads. The box can be rotated to obtain suitable location of the cable inlet.

Together with our pressed element head of 1,5" the product is protection classed IP65.

Technical specification

Material	Plástico ABS-V0
Measures	90x90x150 mm
IP Protection degree	IP54 (IP65 with our 1.5" pressed element head)
Temp. measurement	3 pole combi-thermostat 25-85°C
Thermal cut-off	110°C
Working temperature	max. 75°C
Breaking capacity	20A a 400v max.

CONNECTION DIAGRAM



Benefit

- Compact design thanks to its combi-thermostat.
- Thermal cut-off restettable from the outside.
- Eassy acces to the cable inlet.

